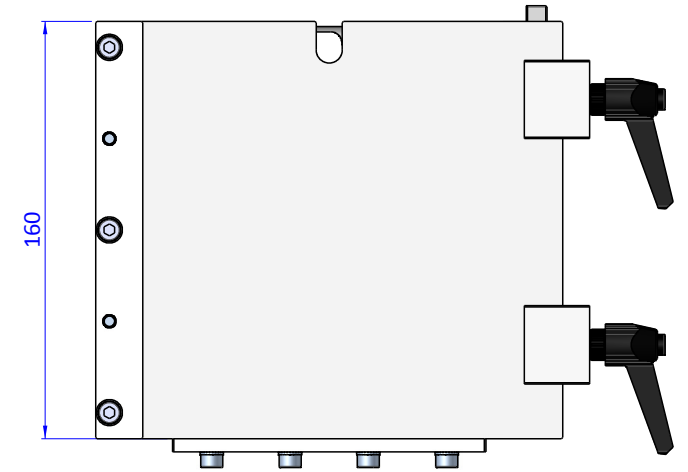
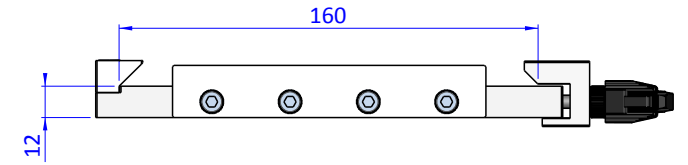
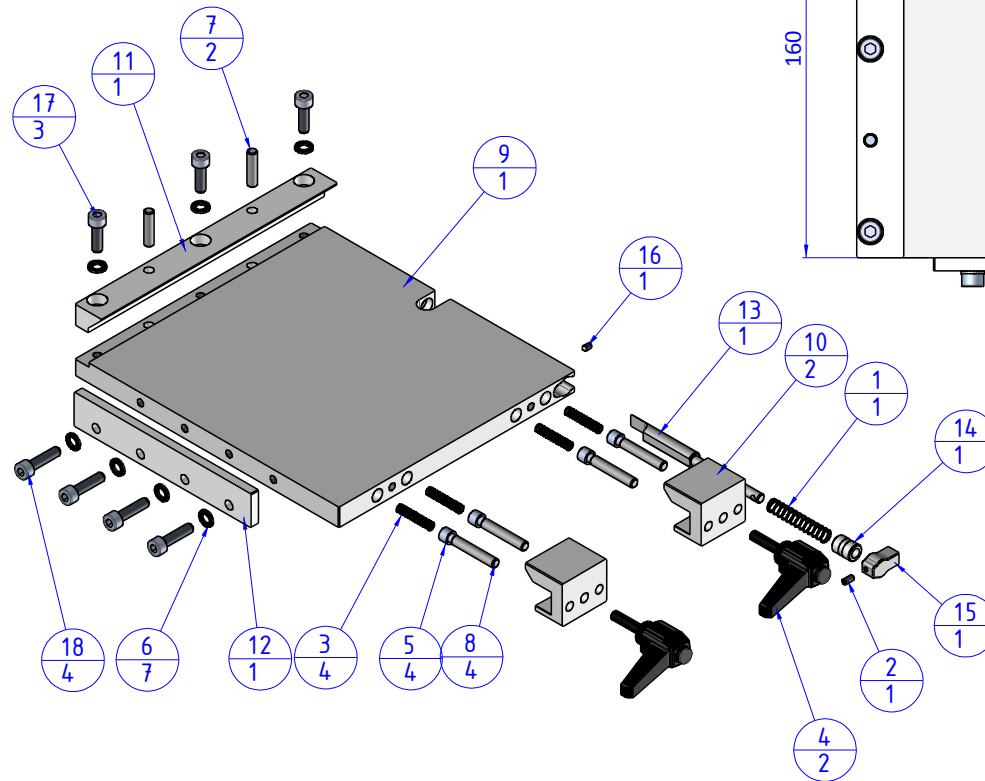



THE PROPERTY OF THE DRAWING IS ESTABLISHED BY LAW. IT IS FORBIDDEN TO PRODUCE OR SHOW IT TO THIRD PARTY, WITHOUT A WRITTEN AGREEMENT.

Item	Name	Qty.
1	DIM.D11530	1
2	GR.3X6	1
3	M.DIM.11230	4
4	MAN.M5x20	2
5	PAP.050705	4
6	R.5.SCH	7
7	SP.5X20	2
8	SP.5X28	4
9	SWM2.0S	1
10	SWM2.1S	2
11	SWM2.2S	1
12	SWM2.3S	1
13	SWM2.4S	1
14	SWM2.5S	1
15	SWM2.6S	1
16	V.STM3X5	1
17	V.TCE5x16	3
18	V.TCE5x20	4



Format A3

UNI 936-76

 FPS FPSERVICES AUTOMATION		DESIGNED FROM	REVIEW
		FPS Automation	A
GENERAL TOLERANCE	DESCRIPTION	DATE	WEIGHT
UNI - ISO 2768	CA.SWM2S	25/07/2019	3,118kg
CLASSE f		CODE	CA.SWM2S